

CLEANCARE®

MANUFACTURER OF INDUSTRIAL LAUNDRY MACHINES



About us

Cleancare today has been reckoned as the pioneering manufacturer, trader, and wholesaler of best-quality products. Our global repute is achieved under the statutory responsibility to deal in an extensive range of many anticipated products, industrial products, including household items and components.

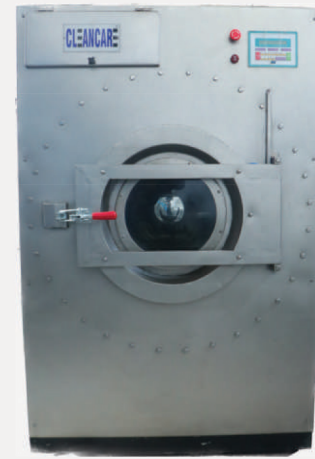
We procure best-suited inventory of raw materials and utilize cutting edge manufacturing technology to develop remarkable quality products that are globally demanded its practicable costs, durable performance, elegant design, appealing looks and industry-proven fabrication.

We understand that every customer comes with a unique set of needs, besides, we invest substantial resources in conducting worldwide market research to anticipate the client needs. Our line of products is carefully developed and rigorously inspected by using latest techniques to assure our patrons with its worth. Further, we work under deep scrutiny of quality controllers who make sure to conduct timely audits and verify every product range.

Best laundry, Dry Cleaning & Finishing equipment.



Complete Laundry, Dry Cleaning & Finishing Solution



WASHING | DRY CLEANING | FINISHING | PACKING
STORAGE | SPARES | INTERIOR

Washer Extractor

- + The front, outer casing, inner basket sides, back & top panels are all in full stainless steel.
- + A separate compartment for the chemical dispenser.
- + Large door with automatic interlocks for safety.
- + SINGLE MOTOR DRIVE. Large capacity motor working with variable frequency drive speed for wash, distribution, low, normal & high spin.
- + Low power consumption
- + Easy to operate
- + Space Saving
- + Robust spring suspension system with industrial shock absorber
- + 350 G - Force Extraction
- + Powerful advanced microprocessor control.
- + Solenoid-operated water inlet and motorized FRR slice-type non clog drain valve.
- + Electric or Steam-heated type.



MODEL	CAPACITY DRY WEIGHT PER CHARGE (1.10)	CYLINDER SIZE	DRIVE MOTOR	CYLINDER SPEEDS		LOADING DOOR OPENING	WATER CONNECTION	DRAIN	HEATING		DIMENSIONS W x D x H
				WASH	FINAL EXTRACT G FORCE				CONSUMPTION	STEAM CONN.	
		VOLUME									
CWE 15	15KG	720 X 380	2.2 KW	45-55 RPM	940 RPM	400	20 (0.75" BSP)	65	15 (0.5" BSP)	12 KW	1040 X 1050 X 1490
		154L			355 G		200L/CYCLE		30 KG/H		
CWE 30	30KG	900 X 500	5.5 KW	45-50 RPM	840 RPM	500	25 (1" BSP)	65	15 (0.5" BSP)	12-18 KW	1290 X 1390 X 1715
		318L			354 G		400L/CYCL		30 KG/H		
CWE 60	60KG	1100 X 650	11 KW	35-45 RPM	760 RPM	650	38 (1.5" BSP)	65	15 (0.5" BSP)	24-36 KW	1590 X 1690 X 2015
		617L			355 G		800L/CYCL		60 KG/H		
CWE 120	120KG	1350 X 850	18.5 KW	30-35 RPM	685 RPM	800	50 (2" BSP)	65	25 (1" BSP)	24-36 KW	1940 X 2040 X 2290
		1216L			353 G		1600L/CYCL		120 KG/H		
CWE 120T FWD TILT	120KG	1350 X 850	18.5 KW TILT MOTOR 1.5 KW	30-35 RPM	685 RPM	800	50 (2" BSP)	65	25 (1" BSP)	24-36 KW	1940 X 2040 X 2290
		1216L			353 G		1600L/CYCL		120 KG/H		

NOTE FOR ALL MACHINES

All dimensions are in mm standard Machine Operate on 415-10% 3 phase, 50Hz AC Electric supply. Specifications Design mentioned above is Subject to Change without notice.
 * One complete process may have 2, 3 or more fills. Machines are also made to order as per customer requirements and specifications.

Washing Machine

Front Loading, Open Pocket

- + Capable of washing all type of fabric and laundry linen.
- + Complete stainless steel front, door & hopper
- + Inner basket and outer drum-all highly polished stainless steel.
- + Easy loading & unloading through large toughened glass door.
- + The machine stops automatically on opening the door.
- + Auto timed, auto reverse & forward through micro controlled
- + Easy to operate.
- + Space saving.
- + Electric or Steam heated type / Thermal fluid heated.



MODEL	CAPACITY DRY WEIGHT PER CHARGE	BASKET SIZE	WASH MOTOR	MAIN DOOR OPENING	WATER CONN.	DRAIN	HEATING		OVERALL DIM. WxDxH APP.
							VOLUME	SPEED	
		CONSUMP.	CONSUMP.				ELECTRIC LOAD		
CWM 15	15 KG	Ø762X400D	0.75 KW	500MM	1.0" BSP	2"	0.5" BSP	6KW	900 X 1000 X 1500
		181L	35 RPM		*60 L/F		15KG/H		
CWM 30	30 KG	Ø960X500D	1.5 KW	500MM	1.0" BSP	3"	0.5" BSP	12KW	1120 X 1300 X 1600
		362L	35 RPM		*125 L/F		30KG/H		
CWM 60	60 KG	Ø1110X760D	2.2 KW	650MM	1.5" BSP	3"	0.5" BSP	24KW	1240 X 1600 X 1750
		735L	35 RPM		*250 L/F		60KG/H		
CWM 120	120 KG	Ø1360X990D	3.75 KW	800MM	2.0" BSP	4"	0.5" BSP	36KW	1500 X 2000 X 2000
		1437L	25 RPM		*500 L/F		120KG/H		

NOTE FOR ALL MACHINES

All dimensions are in mm standard Machine Operate on 415-10%, 3 phase, 50Hz AC Electric supply. Specifications Design mentioned above is Subject to Change without notice.

* One complete process may have 2, 3 or more fills. Machines are also made to order as per customer requirements and specifications.

Washing Machine

Processing & Dyeing Side / Top Loading

- + Side loading, open pocket, single & double door
- + Ideal for larger laundries.
- + Performs all type of wash with soap, detergent, bleaching, acid, stone or any chemical wash including dyeing.
- + Complete stainless steel Inner basket & outer drum.
- + Electrically & mechanically interlocked, S.S. Loading & unloading doors.
- + S.S. hopper & heater box
- + Drive: Heavy duty motor co-ordinates with gear box, pulley V belt drive
- + M.S. trunnion shaft
- + Epoxy painted structure frame.
- + Electrical Control: Well protected for performance & auto timed, auto reverse through micro controlled base cyclic timer / PLC
- + Auto digital temperature control.
- + Front display of controls through pilot lamps, push buttons etc.
- + Electric, Steam or Thermal fluid heated.



MODEL	CAPACITY	BASKET SIZE VOLUME	WASH MOTOR	WASH SPEED	MAIN DOOR OPENING	WATER CON. CONSUMP	DRAIN	HEATING		DIM. WxDxH
								STEAM CON. CONSUMP.	ELECTRIC LOAD	
CSWM 15	15KG	600X700D	0.75KW	45 RPM	400X300	1.0" BSP	2"	0.5" BSP	6KW	1300 X 730 X 980
		*95L/F				15 KG/H				
CSWM 30	30KG	700X900D	0.75KW	40 RPM	560X360	1.0" BSP	2.5"	0.5" BSP	12KW	1560 X 890 X 1100
		*180L/F				30 KG/H				
CSWM 60	60 KG	910X1130D	2.2KW	32 RPM	660X410	1.5" BSP	3.0"	0.5" BSP	24KW	1930 X 1110X1200
		*365L/F				60 KG/H				
CSWM 120	120 KG	1200X1510D	5.5KW	32 RPM	810X460	2.0" BSP	4.0"	0.5" BSP	36KW	2520X1300 X1350
		*730L/F				120 KG/H				
CSWM 240	240KG	1100X2600D	7.5KW	32 RPM	800X450 2Nos	0.75" BSP	6.0"	0.25" BSP	300 KG/H	4620X1960 X1620
		4000L/C				300 KG/H				

NOTE FOR ALL MACHINES

All dimensions are in mm standard Machine Operate on 415-10%, 3 phase, 50Hz AC Electric supply. Specifications Design mentioned above is Subject to Change without notice.

* One complete process may have 2, 3 or more fills. Machines are also made to order as per customer requirements and specifications.

Hydro Extractor

Direct Drive, Safe Balancing With Auto D.C. Injection Brake

- + Stainless steel basket.
 - *S.S. outer drum,
 - *Sturdy welded construction facility to dismantle basket with out dismantling the outer casing.
- + Electrically inter locked tops lid stops the machine when opened.
 - *Outer casing is mounted on M.S, heavy base frame duly painted.
- + Drive: Directly mounted basket on a specially designed high torque, motor with rests on the spigot of the base frame. Provided with built-in rubber buffer cushion to enable self balancing.
- + No V-Belt.
 - *No loss of speed
 - *Quick self balancing
 - *Noiseless and Vibration-free performance charge after charge.
- + Electrically controlled instrumentation and protection for auto timing & automatic D.C. injection for braking. Protective devices against single & reverse phasing and motor overload.



MODEL	CAPACITY	BASKET SIZE	MOTOR	BASKET SPEED	DRAIN	OVERALL DIM. WxDxH
		VOLUME				
CHE 15	15 KG	Ø550 X 300D	2.2KW	1000 RPM	2.5" BSP	800 X 1000X 1050
		71L				
CHE 30	30 KG	Ø700 X 300D	3.75KW	1000 RPM	2.5" BSP	940 X 1140 X 1100
		115L				
CHE 60	60 KG	Ø1000 X 300D	7.5KW	750 RPM	3" BSP	1250 X 1550 X 1150
		235L				

NOTE FOR ALL MACHINES

All dimensions are in mm standard Machine Operate on 415-10%, 3 phase, 50Hz AC Electric supply. Specifications Design mentioned above is Subject to Change without notice.

* One complete process may have 2, 3 or more fills. Machines are also made to order as per customer requirements and specifications.

Drying Tumbler

Front Loading, Open Pocket

- + Stainless steel inner basket
- + Double walled glass wool insulated
- + Outer body duly painted, Electrically interlocked loading & unloading door,
- + No space required on sides of the machine.
- + Electrically controlled protection provided for auto timing, & auto reversing through micro controlled base cyclic timer / PLC
- + Auto digital temperature controls.
- + All controls front displayed with pilot lamps.
- + V-Belt and pulley drive for low torque and high speed.
- + Steam radiator/Electric Heaters : made out of coil and aluminum fins for steam heated, or fin type air heating elements for electrically heated machine.
- + Centrifugally balanced suction blower mounted directly on to the motor.
- + Electric. Steam, Gas or Thermic fluid heated type.



MODEL	CAPACITY DRY WEIGHT PER CHARGE	CYLINDER SIZE	DRIVE MOTOR	LOADING DOOR OPENING	EXHAUST DUCT SIZE	STEAM CONN.	HEATING LOAD	HEATING THERMIC FLUID CON.	DIESEL CONN.	GAS CONN.	DIM. WxDxH
		VOLUME	BLOWER MOTOR			CONSUM.		CONSUM.			
CDT 15	15KG	800 X 600	0.75 KW	500	180 X 180	15 (0.5" BSP)	9/12 KW	15 (0.5" BSP)	6 (0.25" BSP)	6 (0.25" BSP)	900 X 1200 X 1780
		301L	0.75 KW			15KG/H		800KC/H			
CDT 30	30KG	950 X 850	0.75 KW	650	210 X 210	15 (0.5" BSP)	18/24 KW	15 (0.5" BSP)	6 (0.25" BSP)	6 (0.25" BSP)	1050 X 1500 X 1980
		602L	0.75 KW			30KG/H		1600KC/H			
CDT 60	60KG	1280 X 950	1.5 KW	800	300 X 300	15 (0.5" BSP)	36/48 KW	15 (0.5" BSP)	15 (0.5" BSP)	15 (0.5" BSP)	1380 X 1700 X 2380
		1221L	1.5 KW			60KG/H		3200KC/H			
CDT 120	120KG	1600 X 1200	2.25 KW	1000	300 X 300 2 Nos	25 (1" BSP)	-	25 (1" BSP)	15 (0.5" BSP)	15 (0.5" BSP)	1760 X 2100 X 2990
		2441L	1.5 KW			120KG/H		6400KC/H			
CDT 240T FORWARD TILT MODEL	240KG	1800 X 1600	3.75 KW	1200	400 X 400 2 Nos	25 (1" BSP)	-	25 (1" BSP)	15 (0.5" BSP)	15 (0.5" BSP)	1970 X 2600 X 3250
		4069L	2.2 KW			200KG/H		11000KC/H			

NOTE FOR ALL MACHINES

All dimensions are in mm standard Machine Operate on 415-10%, 3 phase, 50Hz AC Electric supply. Specifications Design mentioned above is Subject to Change without notice.
 * One complete process may have 2, 3 or more fills. Machines are also made to order as per customer requirements and specifications.

Ironing Equipments

Flat-work Ironer Machine / Calender Machine

- + Single or multi roller.
- + Pneumatic raising and lowering of the chests.
- + Roller with moisture suction & variable speed.
- + Auto timed, auto temperature control, variable frequency drive control.
- + Powerful suction : Individual direct mounted centrifugal blower on to the roller quickly removes moisture.
- + It offers a dramatic saving of time labour ideal for pressing of sheets, napkins, table lines, pillow cover and any type of flat line etc. made easy.
- + Fail safe finger guard stops the machine instantly.
- + Electric, Steam or Gas heated type.



MODEL	ROLLER DIA (PADDED)	ROLLER LENGTH	ROLLER SPEED	DRIVE MOTOR	SUCTION MOTOR	ELECTRIC HEATING	DIM. WXDXH
CFI 1.6	250	1600	1 - 4 Mtrs/Min (Variable)	0.75 KW	0.75 KW	12 KW	2090 X 490 X 1010

MODEL	ROLLER DIA (PADDED)	ROLLER LENGTH	ROLLER SPEED	DRIVE MOTOR	SUCTION MOTOR	HEATING			DIM. WXDXH
						STEAM CON. CONSUMP.	ELECTRIC LOAD	AIR CON. CONSUMP.	
CFI 2.0	400	2000	2 - 6 Mtrs/Min (Variable)	1.5 KW	0.75 KW	15(0.5"BSP) 50KG/H	12 KW	15(0.5"BSP) 50 L/H	2940 X 790 X 1220
CFI 3.0	800	3000	2 - 10 Mtrs/Min (Variable)	3.75 KW	3 KW	25(1"BSP) 110KG/H	36 KW	15(0.5"BSP) 100 L/H	4210 X 1140 X 1290

MODEL	NO. OF ROLLS	ROLLER DIA (PADDED)	ROLLER LENGTH	ROLLER SPEED	DRIVE MOTOR	SUCTION MOTOR	STEAM CON. CONSUMP.	AIR CON. CONSUMP.	DIM. WXDXH
							360KG/H	400L/H	
CFI 3.0 2 ROLLER	2	800	3000	5 Mtrs/Min (Variable)	5.5 KW (2Nos)	3 KW (2Nos)	50 (2"BSP)	20(0.75"BSP)	4840 X 2890 X 1690

NOTE FOR ALL MACHINES

All dimensions are in mm standard Machine Operate on 415-10%, 3 phase, 50Hz AC Electric supply. Specifications Design mentioned above is Subject to Change without notice.
* One complete process may have 2, 3 or more fills. Machines are also made to order as per customer requirements and specifications.

Fully Automatic Perc Dry Cleaning Machine

- + Fully Programmable computerized operating system.
- + Variable speed frequency inverter drive. Frequency conversion motor adopted for more stable and reliable running, and to lower the noise.
- + Equipped with activated carbon safety absorption device, which is used to absorb the smell of residual perc. while opening the door after finishing the cycle.
- + Fully enclosed and high-performance system with refrigeration recovery system maximizes PERC recovery.
- + The key parts for refrigeration system, pneumatic valves, solenoid valves, low-voltage apparatus, bearings, oil seals, etc are all high quality with famous brands.



MODEL	CAP. DRY WT. PER CHARGE	BASKET D X D	POWER ELE.	WASH SPEED	DOOR OPEN.	FILTER PUMP	BASE TANK CAP.			DIST. TANK	CONSUMPTION			DIM. WxDxH
		VOLUME	STEAM	EXTRACT SPEED		FILT. RATE	TANK 1	TANK 2	TANK 3	DIST. RATE	WATER	STEAM	AIR	WEIGHT
CPD 10	10 KG	690 X 440	17.61 KW	40 RPM	440	1	80L	80L	110L	70L	170L/H	11KG/H	50L/H	1550 X 1180 X 2000
		160L	5.10 KW	450-600 RPM		42L/H				103L/H				950 KG
CPD 15	15 KG	903 X 468	27.4 KW	40 RPM	500	1	150L	150L	216L	160L	350L/H	15KG/H	50L/H	1684 X 1505 X 2100
		300L	7.95 KW	400 RPM		68L/H				103L/H				1200 KG

Dry Cleaning Machine (M.T.O)

- + Front loading, open pocket auto timed, & auto reverse, & forwarding through micro controlled base cyclic time, auto filtration with low spin extract.
- + Ideal for petrol solvent (MTO) cleaning in the most efficient and economical.
- + Stainless steel Inner basket & mild steel outer casing.
- + Large loading & unloading door outer body duly painted.



MODEL	CAPACITY	BASKET SIZE	DRY CLEAN MOTOR SPEED	ELECTRIC LOAD	EXTRACT SPEED	FILTER PUMP CAPACITY	BASE	FILTER	OVERALL DIM. WxDxH App.	Net. Wt/Shipping Wt Shipping Size WxDxH App. Shipping Vol.
		VOLUME								
CDC 15	15 KG	Ø700X470D	0.37 KW 35 RPM	1.5 KW	350 RPM	0.37 KW 100L/M	260L	260L	1000 X 1080 X 1730	475Kg x 545Kg 1300x1380x1930 3.46 M³
		180L								
CDC 30	30 KG	Ø950X500D	0.75 KW 35 RPM	3.75 KW	350 RPM	0.37 KW 100L/M	410L	410L	1300 X 1250 X 2000	900Kg x 115Kg 1600x1500x2200 5.45 M³
		355L								

NOTE FOR ALL MACHINES

All dimensions are in mm standard Machine Operate on 415-10%, 3 phase, 50Hz AC Electric supply. Specifications Design mentioned above is Subject to Change without notice.
* One complete process may have 2, 3 or more fills. Machines are also made to order as per customer requirements and specifications.

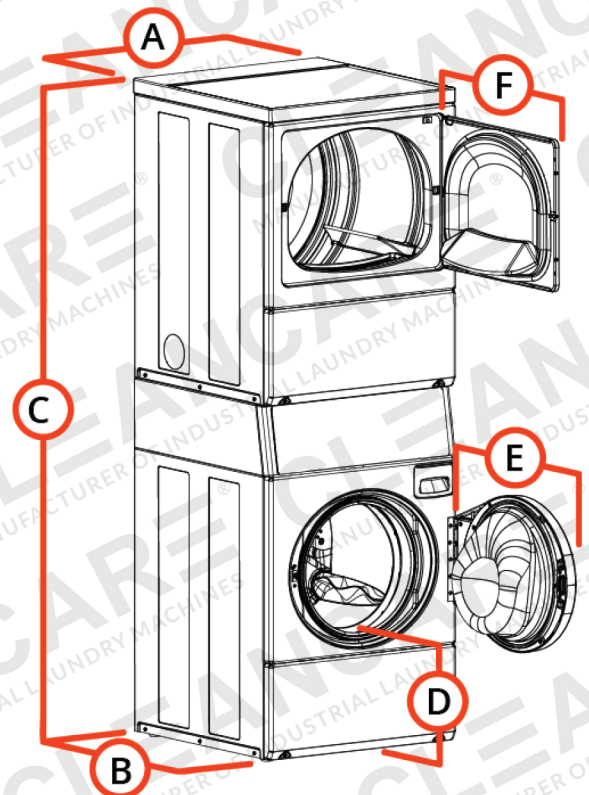
STEWXASP453NN22

A Proven performer (Wet Cleaning enabled Stacker)

Get the complete package in a single unit, combining our efficient dryers with the powerful performance of our industry-leading front load washers. Available in 9.5 kg (21.5 lb) washer capacity and 8.2 kg (18 lb) dryer capacity. Our line of stack washer/dryers are designed as vertical combinations that provide all the power of Speed Queen washers and dryers while occupying only half of the floor space of a conventional washer and dryer setup. Plus, these stacked units allow you to utilize the same connections and hook-ups required by a standard washer and dryer and come preassembled for simple installation.



Model	STEWXASP453NN22
General details	
Control	Quantum
Control location	Front 10 degree
Actuation	Prep for coin
Drum	
Capacity kg	15 (W) / 15 (D)
Volume l	W-96,8/D-198
Drum speed	
G-factor	440
Extraction RPM	1200
Power	
Motor power kW	W-0,67/D-0,25
Voltage	220-240/50/1
Cabinet	
Cylinder Finish	Stainless / Stainless
Color	Stainless
Door type	W-Window / D-Solid
Connections	
Electrical requirements	220-240/50/1
Water inlet	3/4"
Water Pressure kPa	1,4-8,3
Transport data	
Net weight kg	175
Shipping weight kg	189
Dimensions HxWxD mm	1986 x 683 x 711
Packed dimensions HxWxD mm	2032 x 762 x 864
Packed volume m3	1,34



NOTE FOR ALL MACHINES

All dimensions are in mm standard Machine Operate on 415-10%, 3 phase, 50Hz AC Electric supply. Specifications Design mentioned above is Subject to Change without notice.
* One complete process may have 2, 3 or more fills. Machines are also made to order as per customer requirements and specifications.

Flat Bed Press

- + Pneumatic operated bed with moisture and timer for bed releasing of head with pneumatic push butter-raising and lowering of the head.
- + Ideal for uniform, hosiery cloths table -lines, bed sheets towels and pillow covers etc.
- + Press is fitted with a padded buck and iron head with moisture suction feature.
- + Auto timed, auto temperature control, low energy consumption.
- + Covered with Teflon sheets in head.
- + Electric or Steam heated type.



MODEL	HEAD & BED SIZE	AIR CONN.	STEAM CONN.	ELECTRIC LOAD	OVERALL DIMENSIONS WxDxH App.
		CONSUMP.	CONSUMP.		
		PRESSURE	CONSUMP.		
CFBP 75	1500 X 750	0.5 BSP	0.5" BSP	12 KW	1600 X 1600 X 1300
		100 L/M			
		6KG/CM	30 KG/H		

General Utility Press

Pneumatic Operated General Utility Press

- + Steam heated stainless steel polished head.
- + Head movement with jumbo push button at front.
- + Digital timer for auto timed release.
- + Adjustable ironing pressure.



MODEL	HEAD SIZE	BED SIZE	STEAM		AIR		SUCTION BLOWER	BLOWER CAPACITY
			CONN.	CONSUMP	CONN.	CONSUMP		
CGUP	1200 X 400	1200 X 400	Ø 15 (0.5" BSP) AT 6 KG/CM³	30 KG/H	Ø 15 (0.5" BSP) AT 6 KG/CM³	60 L/Min.	0.5 KW	285 L/Sec.

NOTE FOR ALL MACHINES

All dimensions are in mm standard Machine Operate on 415-10% 3 phase, 50Hz AC Electric supply. Specifications Design mentioned above is Subject to Change without notice.
 * One complete process may have 2, 3 or more fills. Machines are also made to order as per customer requirements and specifications.

Vacuum Ironing Tables

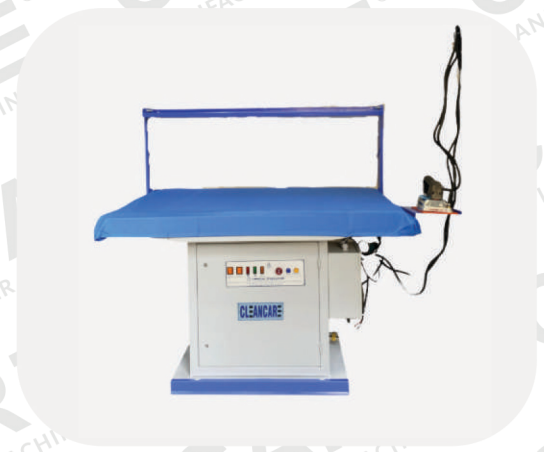
- + More productive, sophisticated powerful centrifugal suction.
- + Elegant look and rust-proof powder coated.
- + Ensures superior suction through noiseless working atmosphere.
- + Washable foam & heatproof cloth ensuring longer life and easy maintenance.
- + Detachable system, for easy transportation and installation.



MODEL	TABLE TOP SIZE	SUCTION MOTOR	OVERALL DIM. WxDxH
CVIT	1200 X 750	0.75 KW	48" X 30" X 30"
CUIT	1200 X 500	0.75 KW	48" X 20" X 30"

Steam Ironing Machine with Inbuilt Boiler

- + Mostly single phase, so that no new 3 phase line will have to be drawn while connecting to the new machine,
- + Fitted with boilers to ensure flexibility . Small surfaces for more suction.
- + Modern, sleek and sophisticated and more productive than the conventional ones.



MODEL	AUTO. BOILER	SUCTION MOTOR	TABLE ELEMENT	IRON ELEMENT	SIZE (LXWXH)
CVIT-AB	4 KW	0.75 KW	900 W	900 W	48" X 30" X 30"

Steam Iron

Electronic Heated Steam Press

- + Widely used due to its temperature tolerance (+/-20°C) and light weight.
- + Precision thermostatic controls and heat proof bake-lite handle.
- + Non - rub and Non - sticky base.
- + Brass base can be used for extra weight as per your convenient.

All Steam Press Finishing Iron

Excellent for all flat-work, extra wide sole-plate speeds Ironing for large area.

- + Adjustable bolt on the steam valve to adjust the steam quantities.
- + Parallel steam holes on the edge of iron base extensively makes spreading steam hard to press areas easy.



NOTE FOR ALL MACHINES

All dimensions are in mm standard Machine Operate on 415-10%, 3 phase, 50Hz AC Electric supply. Specifications Design mentioned above is Subject to Change without notice.
 * One complete process may have 2, 3 or more fills. Machines are also made to order as per customer requirements and specifications.

Stain Removing Machines

- + Works on a scientific process of import chemical spray cleaning through cold spotting gun.
- + The residual spray is removed by suction process through a stainless steel suction table and subsequently dried by steam gun.
- + 304 Grade stainless steel body prevents corrosion,
- + Option in spotting guns for various solvents to take care of different & difficult stains simultaneously. Stainless steel suction table & movable side small arm for small tubular garments.



MODEL	MOTOR HP	STEAM REQUIRED KG/H	COMPRESSOR		NO. OF GUNS		DIMENSION INCHES
			HP	BAR	STEAM SIR	CHEMICAL	
CSM	3/4	5	3	8	1	2	47 X 26 X 45

Electric Steam Generator

PRESSURE VESSEL: Boiler quality steel construction. S. S. heavy duty electric heaters, imported water level regulator, electric solenoid steam release safety valve, water into the vessel. Fully automatic pressure & temperature control, water injection. Dry cutout device, excessive steam pressure release.



MODEL	RATING	OUTPUT /H	WATER PUMP
CAB 04	4 KW	4 KG	0.75 KW
CAB 06	6 KW	6 KG	0.75 KW
CAB 09	9 KW	9 KG	0.75 KW
CAB 12	12 KW	12 KG	0.75 KW
CAB 18	18 KW	18 KG	0.75 KW
CAB 27	27 KW	27 KG	0.75 KW
CAB 36	36 KW	36 KG	0.75 KW

NOTE FOR ALL MACHINES

All dimensions are in mm standard Machine Operate on 415-10%, 3 phase, 50Hz AC Electric supply. Specifications Design mentioned above is Subject to Change without notice.
 * One complete process may have 2, 3 or more fills. Machines are also made to order as per customer requirements and specifications.

Universal Foam Finisher

Designed for finishing of Jackets, Coats, Blouses, Dresses, Raincoats Sweaters and knits. Formfinisher is a state of the art system with an adjustable high Volume fan, automatic timers, foot pedal start, adjustable waist and bust controls, revolving form assembly water spray and condenser, and anti-stretch over- bag system. Options: Complete selection of specialized forms-tall, children's knit shirts skirts and sweaters.



MODEL	FAN MOTOR	STEAM INLET	RETURN OUTLET	STEAM PRESSURE MPA	WEIGHT	STEAM CONSUMPTION KG/HR
CCCP	0.75KW	1/2"	1/2"	0.4-0.5	230Kg. (Approx)	18

Dry Clean Utility Press

Heavy duty stainless steel buck as standard. air operated for easy and smooth operation three pedals for steam, vacuum and lower buck steaming for both top and lower bucks high quality padding and cover which can resist max high temperature at 260° C ensures good finishing work controlled by advanced plc.

Makes pre-heating time only 5 minutes and makes the machine look neat and nice floating type steam trap minimizes the steam consumption high quality pneumatic parts with world famous brands ensure stability and long working life of the machine with dehumidifier device vacuum pump.



MODEL	FAN MOTOR	STEAM INLET	RETURN OUTLET	STEAM PRESSURE	AIR PRESSURE	AIR CONSUMPTION	WEIGHT	STEAM CONSUMPTION KG/HR
CCCP	0.75KW	1/2"	1/2"	4-5 Bar	6-7 Bar	40 L/Min.	275 Kg. (Approx)	20

NOTE FOR ALL MACHINES

All dimensions are in mm standard Machine Operate on 415-10%,3 phase, 50Hz AC Electric supply. Specifications Design mentioned above is Subject to Change without notice:
 * One complete process may have 2, 3 or more fills. Machines are also made to order as per customer requirements and specifications.

Cuff & Collar Press

To achieve highest quality crisp finish collar / Cuff presses comprise one part of a unique shirt system designed specifically to help you increase productivity while saving your operation (and operator) costs.



MODEL	FAN MOTOR	STEAM INLET	RETURN OUTLET	STEAM PRESSURE	AIR PRESSURE	AIR CONSUMPTION	WEIGHT	STEAM CONSUMPTION KG/HR
CCCP	0.75KW	1/2"	1/2"	4-5 Bar	6-7 Bar	40 L/Min.	275 Kg. (Approx)	20

Mushroom Press

Heavy duty stainless steel buck as standard. air operated for easy and smooth operation three pedals for steam, vacuum and lower buck steaming for both top and lower bucks high quality padding and cover which can resist max high temperature at 260 ° C ensures good finishing work controlled by advanced plc.

Makes pre-heating time only 5 minutes and makes the machine look neat and nice floating type steam trap minimizes the steam consumption high quality pneumatic parts with world famous brands ensure stability and long working life of the machine with dehumidifier device vacuum pump.



MODEL	FAN MOTOR	STEAM INLET	RETURN OUTLET	STEAM PRESSURE	AIR PRESSURE	AIR CONSUMPTION	WEIGHT	STEAM CONSUMPTION KG/HR
CMP	0.75KW	1/2"	1/2"	4-5 Bar	6-7 Bar	40 L/Min.	250 Kg. (Approx)	15

NOTE FOR ALL MACHINES

All dimensions are in mm standard Machine Operate on 415-10% 3 phase, 50Hz AC Electric supply. Specifications Design mentioned above is Subject to Change without notice.
 * One complete process may have 2, 3 or more fills. Machines are also made to order as per customer requirements and specifications.



WTR 50

Wet Linen Trolley (box type)
Stainless Steel

DTR 50

Dry Linen Trolley (cage type)
Stainless Steel



WTR 50

Wet Linen Trolley (box type)
Fiber Trolley

CSS

Single Sink
Stainless Steel



CHPM

Garment Packaging Machine



CHT

Hanger Trolley
Stainless Steel



CMT

Mobile Table
Stainless Steel



CST 100

Mobile Shelf trolley
Stainless Steel



CSS

Storage Shelf Rack
Stainless Steel

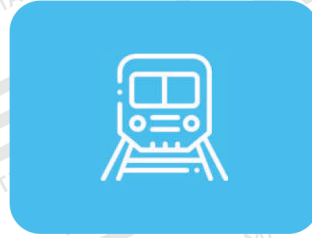
We Serve...



Hospitality



Healthcare



Railway



Pharmaceuticals



Infrastructure



Institute / Universities



Launderers
& Dry Cleaners



Garment
Manufacturers

Some of Our Prestigious Clients

Le MERIDIEN

H
Holiday Inn

Radisson

ananta
Hotels & Resorts

BW Best Western.

THE FERN
HOTELS & RESORTS
Leading Environmentally Sensitive Hotels

HOTEL
Le ROI

Cygnett
hotels | inns | resorts

rann utsav
The Tent City

SAROVAR
HOTELS & RESORTS

M
MARRIOTT

K
Karma Resorts

RAMADA
BY WYNDHAM

RUBYSTONE
Hotels • Resorts • Palaces

WOCKHARDT **LIFE WINS**
HOSPITALS



CREASELESS
The Dryclean Studio

Washmart
WASH | LAUNDRY | DRY CLEAN

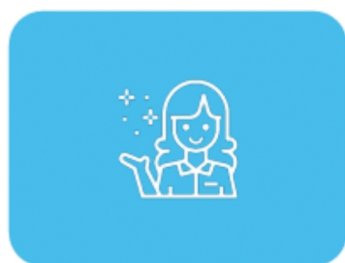


MY DREAM
PROFESSIONAL CLEANERS
Trusted Since 2020

CLEANCARE

Manufacturer Of Industrial Laundry Machines

We Serve...



Hospitality



Healthcare



Railway



Pharmaceuticals



Infrastructure



Institute / Universities



Launderers
& Dry Cleaners



Garment
Manufacturers

Cleancare India

G-19, Sector-11, Noida-201301 (U.P.)

Mob. No. 9211968116, 9871362515, 9971803090

E-mail: sales@cleancareindia.com | pawan@cleancareindia.com

Website - www.cleancareindia.com

Regional Office

MUMBAI · LUCKNOW · JAIPUR · LUDHIANA · RAIPUR · CHENNAI · GOA

The Company Reserves the Right to Change the Design & Specifications without any Prior Notice.